



DONGHUI Motor

DBL42250

OUTPUT: APPROX 10W~180W

OUTER ROTOR

WEIGHT : 125g (APPROX)



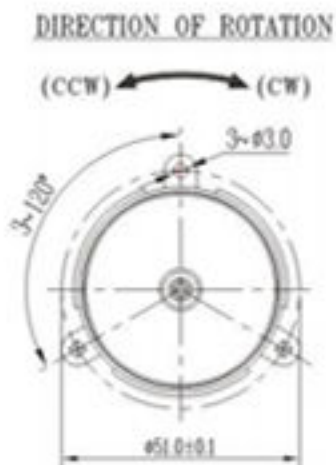
● Typical Application 典型应用

吸尘器 (Vacuum Cleaner)
 家用电器 (Home Application)
 个人护理 (Personal Care)
 商业设备 (Business Equipment)
 医疗器械 (Medical Apparatus)

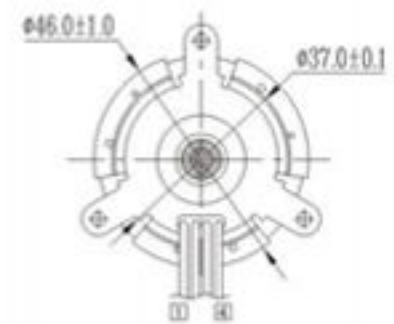
● Motor Terminations 电机端口

NO.	PIN ARRANGEMENT
1	PWM
2	FG
3	VCC
4	GND

◆ External Dimensions 外形图



UNIT: MILLIMETERS

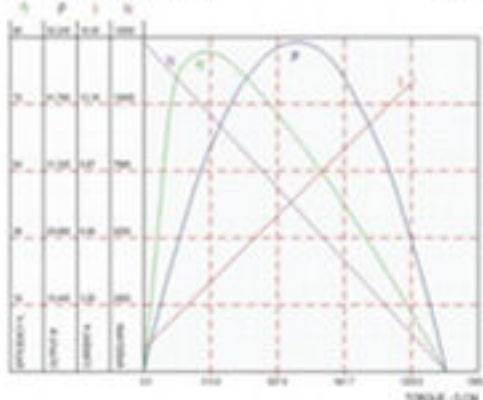


◆ Major Characteristic Parameters 主要特性参数

MODEL	VOLTAGE		NO LOAD		AT MAXIMUM EFFICIENCY				STALL	
	OPERATING RANGE	RATED	SPEED	CURRENT	SPEED	CURRENT	TORQUE	OUTPUT	TORQUE	CURRENT
			r/min	A	r/min	A	g.cm	W	g.cm	A
DBL42250-V1	8V~16V	12 V	12963	0.23	11537	2.01	172.6	20.43	1569.4	16.44
DBL42250-V2	8V~26V	18 V	23246	0.34	21066	3.29	237.6	51.38	2533.8	31.77
DBL42250-V3	8V~26V	24 V	29489	0.53	26540	4.60	333.6	90.81	3335.9	41.23

◆ Performance Curves 性能曲线

DBL42250-V1 12V



DBL42250-V3 24V

