



DONGHUI Motor

DBL40350

OUTPUT: APPROX 10W~80W

OUTER ROTOR

WEIGHT : 190g (APPROX)



● Typical Application 典型应用

- 个人护理(Personal Care)
- 家用电器(Home Application)
- 电动工具(Industry Apparatus)
- 筋膜枪(Massage Gun)
- 医疗器械(Medical Apparatus)

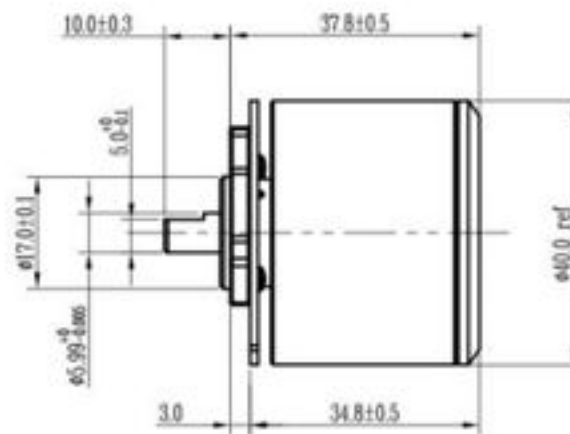
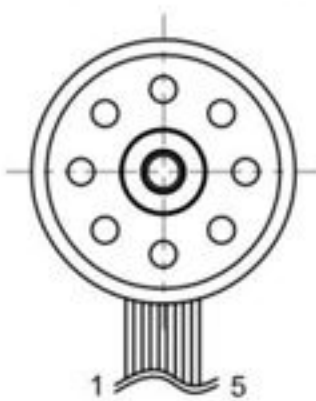
● Connector Interface 连接端口

NO.	PIN ARRANGEMENT
1	VCC
2	FG
3	CW/CCW
4	GND
5	PWM

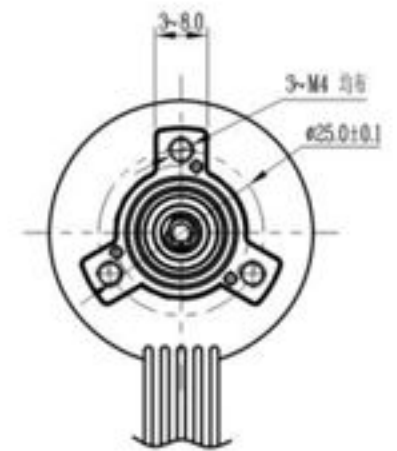
◆ External Dimensions 外形图

DIRECTION OF ROTATION

(CCW) ← (CW)



UNIT: MILLIMETERS

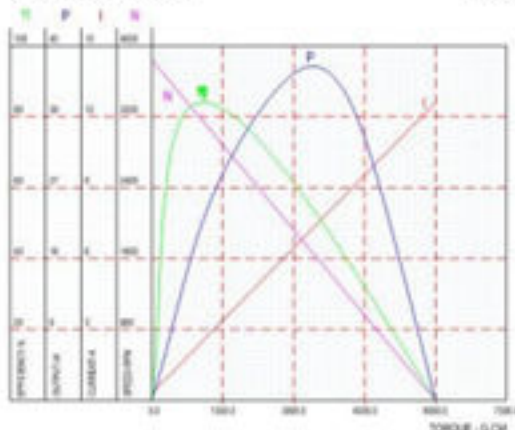


◆ Major Characteristic Parameters 主要特性参数

MODEL	VOLTAGE		NO LOAD		AT MAXIMUM EFFICIENCY				STALL	
	OPERATING RANGE	RATED	SPEED	CURRENT	SPEED	CURRENT	TORQUE	OUTPUT	TORQUE	CURRENT
			r/min	A	r/min	A	g.cm	W	g.cm	A
DBL40350-V1	8V~15V	12 V	3620	0.34	3010	3.1	905	28	6052	13.4
DBL40350-V2	8V~26V	16.8 V	3760	0.39	3250	4.4	1130	40	7486	15
DBL40350-V3	8V~26V	24 V	3800	0.28	3350	4.5	410	66	8220	12.1

◆ Performance Curves 性能曲线

DBL40350-V1 12V



DBL40350-V3 24V

