

OUTPUT: APPROX 10W~60W

OUTER ROTOR

WEIGHT :135g (APPROX)



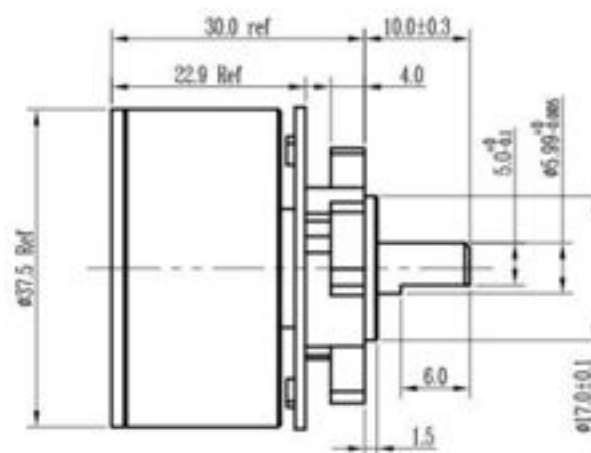
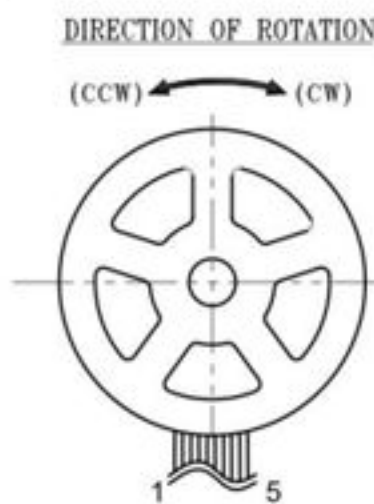
### ● Typical Application 典型应用

个人护理(Personal Care)  
家用电器(Home Application)  
电动工具(Industry Apparatus)  
筋膜枪(Massage Gun)  
医疗器械(Medical Apparatus)

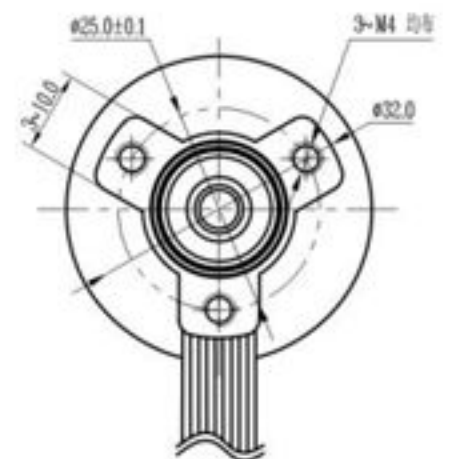
### ● Connector Interface 连接端口

NO.	PIN ARRANGEMENT
1	VCC
2	FG
3	CW/CCW
4	GND
5	PWM

### ◆ External Dimensions 外形图



UNIT: MILLIMETERS

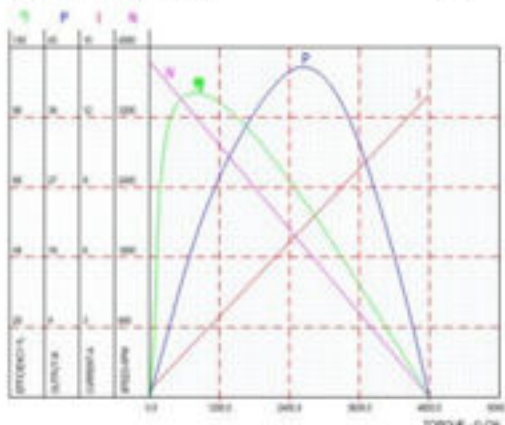


### ◆ Major Characteristic Parameters 主要特性参数

MODEL	VOLTAGE		NO LOAD		AT MAXIMUM EFFICIENCY				STALL	
	OPERATING RANGE	RATED	SPEED	CURRENT	SPEED	CURRENT	TORQUE	OUTPUT	TORQUE	CURRENT
			r/min	A	r/min	A	g.cm	W	g.cm	A
DBL38300-V1	5V~12V	7.4 V	3920	0.51	3300	3.6	580	20	3790	19.3
DBL38300-V2	8V~15V	12V	3900	0.41	3340	2.4	654	32	4488	14
DBL38300-V3	8V~26V	16.8 V	3910	0.27	3400	2.3	690	41	6810	20.1
DBL38300-V4	8V~26V	24 V	3960	0.21	3460	1.4	734	54	7100	10.2

### ◆ Performance Curves 性能曲线

DBL38300-V1 12V



DBL38300-V4 24V

