



DONGHUI Motor

DBL37170

OUTPUT: APPROX 2W~30W

OUTER ROTOR

WEIGHT : 75g (APPROX)



● Typical Application 典型应用

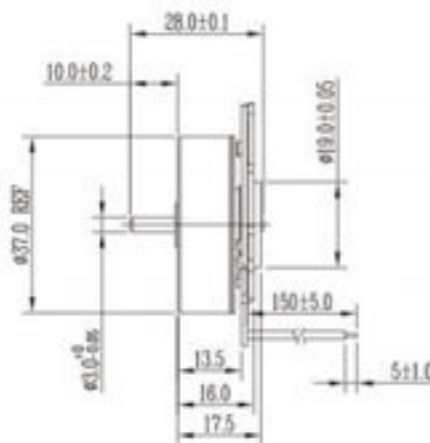
吸尘器 (Vacuum Cleaner)
 家用电器 (Home Application)
 个人护理 (Personal Care)
 商业设备 (Business Equipment)
 医疗器械 (Medical Apparatus)

● Motor Terminations 电机端口

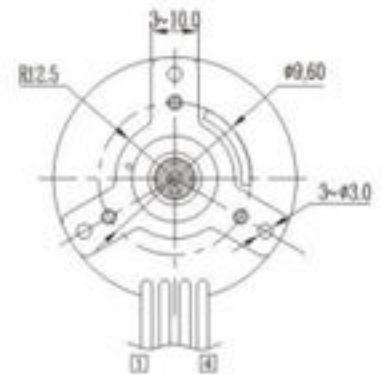
NO.	PIN ARRANGEMENT
1	PWM
2	FG
3	VCC
4	GND

◆ External Dimensions 外形图

DIRECTION OF ROTATION



UNIT: MILLIMETERS

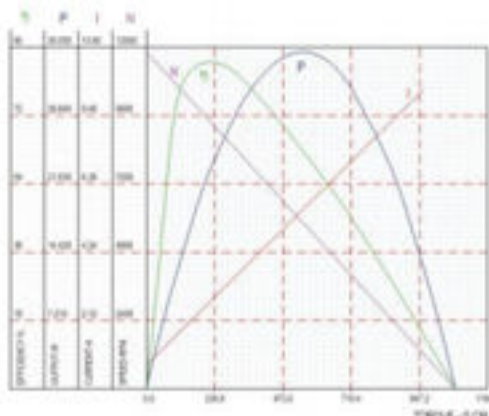


◆ Major Characteristic Parameters 主要特性参数

MODEL	VOLTAGE		NO LOAD		AT MAXIMUM EFFICIENCY				STALL	
	OPERATING RANGE	RATED	SPEED	CURRENT	SPEED	CURRENT	TORQUE	OUTPUT	TORQUE	CURRENT
			r/min	A	r/min	A	g.cm	W	g.cm	A
DBL37170-V1	8V~16V	12 V	11876	0.25	10332	1.60	153.9	16.31	1184.8	10.64
DBL37170-V2	8V~26V	18 V	18020	0.29	15497	1.79	168.4	26.76	1202.7	10.98
DBL37170-V3	8V~26V	24 V	23274	0.34	20481	2.61	253.4	53.24	2111.9	19.28

◆ Performance Curves 性能曲线

DBL37170-V1 12 V



DBL37170-V3 24 V

