



# DONGHUI Motor

## DBL3657I

OUTPUT: APPROX 5W~50W

INNER ROTOR

WEIGHT : 220g ( APPROX)



### ● Typical Application 典型应用

个人护理(Personal Care)  
家用电器(Home Application)  
电动工具(Power Tools)  
商业设备(Business Equipment)  
医疗器械(Medical Apparatus)

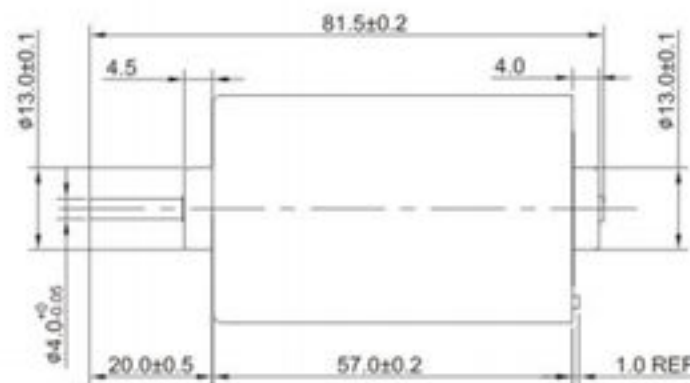
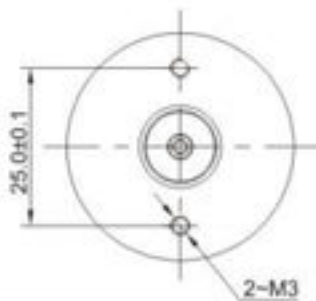
### ● Motor Terminations 电机端口

NO.	PIN ARRANGEMENT
1	VCC
2	FG
3	CW/CCW
4	GND
5	PWM
6	BRAKE

### ◆ External Dimensions 外形图

DIRECTION OF ROTATION

(CCW) ← → (CW)



UNIT: MILLIMETERS

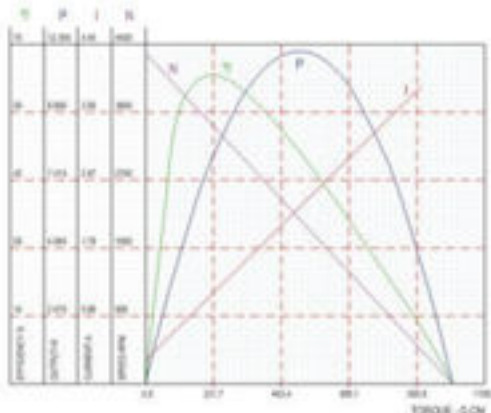


### ◆ Major Characteristic Parameters 主要特性参数

MODEL	VOLTAGE		NO LOAD		AT MAXIMUM EFFICIENCY				STALL	
	OPERATING RANGE	RATED	SPEED	CURRENT	SPEED	CURRENT	TORQUE	OUTPUT	TORQUE	CURRENT
			r/min	A	r/min	A	g.cm	W	g.cm	A
DBL3657I-V1	8V~16V	12 V	4154	0.19	3448	0.904	196.9	6.963	1158.3	4.405
DBL3657I-V2	8V~26V	18 V	6382	0.22	5425	1.174	267.0	14.85	1779.7	6.604
DBL3657I-V3	8V~26V	24 V	8610	0.28	7230	1.572	384.6	28.53	2403.9	8.342

### ◆ Performance Curves 性能曲线

DBL3657I-V1 12V



DBL3657I-V3 24V

