



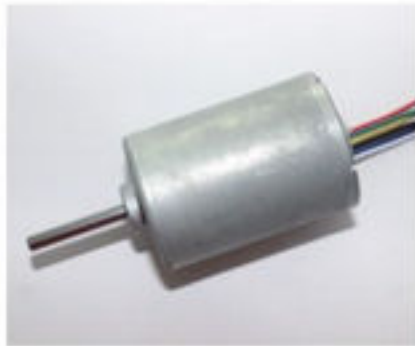
DONGHUI Motor

DBL3650I

OUTPUT: APPROX 5W~40W

INNER ROTOR

WEIGHT : 180g (APPROX)



● Typical Application 典型应用

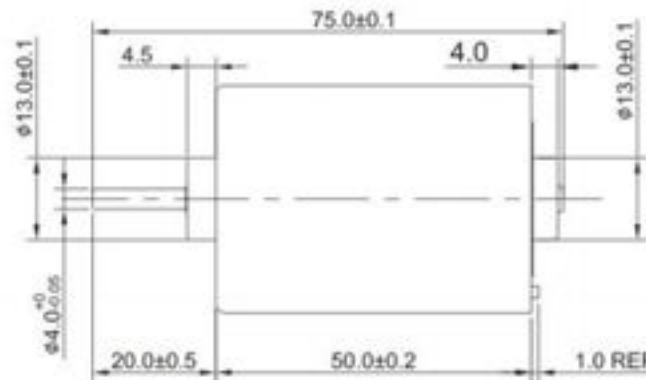
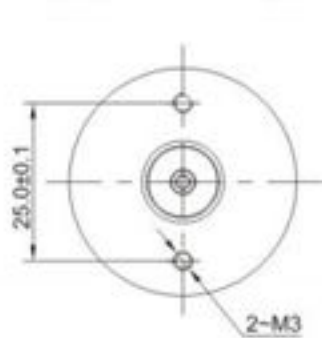
个人护理(Personal Care)
家用电器(Home Application)
电动工具(Power Tools)
商业设备(Business Equipment)
医疗器械(Medical Apparatus)

● Motor Terminations 电机端口

NO.	PIN ARRANGEMENT
1	VCC
2	FG
3	CW/CCW
4	GND
5	PWM
6	BRAKE

◆ External Dimensions 外形图

DIRECTION OF ROTATION
(CCW) ← (CW)



UNIT: MILLIMETERS

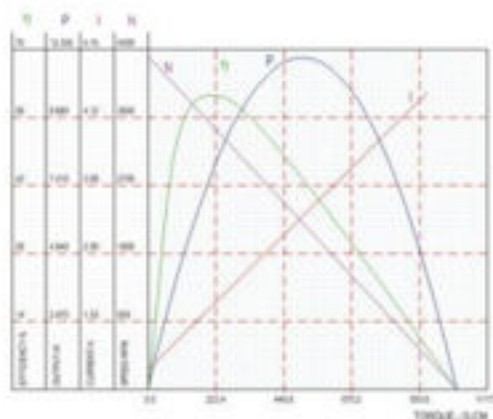


◆ Major Characteristic Parameters 主要特性参数

MODEL	VOLTAGE		NO LOAD		AT MAXIMUM EFFICIENCY				STALL	
	OPERATING RANGE	RATED	SPEED	CURRENT	SPEED	CURRENT	TORQUE	OUTPUT	TORQUE	CURRENT
			r/min	A	r/min	A	g.cm	W	g.cm	A
DBL3650I-V1	8V~16V	12 V	4304	0.28	3486	1.197	211.2	7.586	1116.6	5.104
DBL3650I-V2	8V~26V	18 V	6693	0.3	5555	1.552	305.9	17.43	1799.5	7.537
DBL3650I-V3	8V~26V	24 V	8458	0.4	6851	1.794	395.2	27.77	2079.8	7.628

◆ Performance Curves 性能曲线

DBL3650I-V1 12 V



DBL3650I-V3 24 V

