



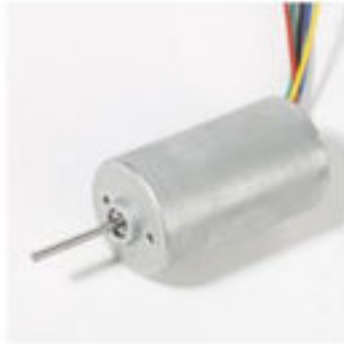
# DONGHUI Motor

## DBL2847I

OUTPUT: APPROX 5W-25W

INNER ROTOR

WEIGHT: 115g (APPROX)



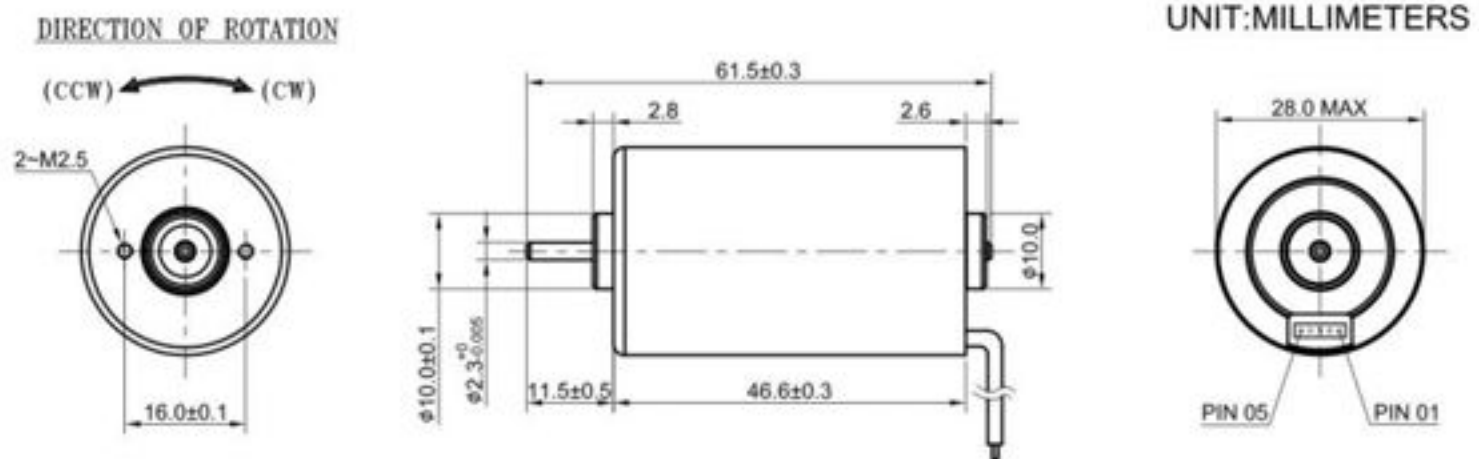
### ● Typical Application 典型应用

- 个人护理 (Personal Care)
- 家用电器 (Home Application)
- 电动工具 (Power Tools)
- 商业设备 (Business Equipment)
- 医疗器械 (Medical Apparatus)

### ● Motor Terminations 电机端口

| NO. | PIN ARRANGEMENT |
|-----|-----------------|
| 1   | VCC             |
| 2   | FG              |
| 3   | CW/CCW          |
| 4   | GND             |
| 5   | PWM             |

### ◆ External Dimensions 外形图

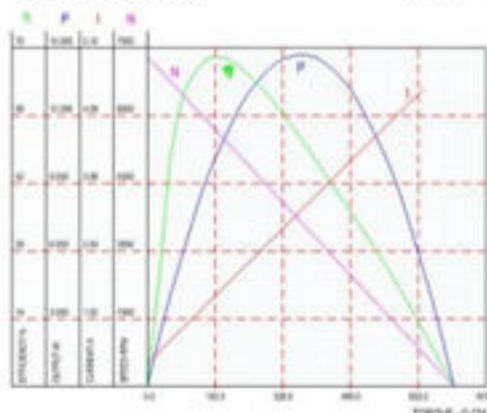


### ◆ Major Characteristic Parameters 主要特性参数

| MODEL       | VOLTAGE         |       | NO LOAD |         | AT MAXIMUM EFFICIENCY |         |        |        | STALL  |         |
|-------------|-----------------|-------|---------|---------|-----------------------|---------|--------|--------|--------|---------|
|             | OPERATING RANGE | RATED | SPEED   | CURRENT | SPEED                 | CURRENT | TORQUE | OUTPUT | TORQUE | CURRENT |
|             |                 |       | r/min   | A       | r/min                 | A       | g.cm   | W      | g.cm   | A       |
| DBL2847I-V1 | 6V-12V          | 12 V  | 7170    | 0.17    | 6095                  | 0.903   | 122.2  | 7.64   | 814.8  | 5.059   |
| DBL2847I-V2 | 8V-16V          | 18 V  | 10833   | 0.20    | 9100                  | 1.087   | 147.9  | 13.81  | 924.3  | 5.746   |
| DBL2847I-V3 | 8V-26V          | 24 V  | 12370   | 0.21    | 10391                 | 1.113   | 173.6  | 18.50  | 1085.1 | 5.852   |

### ◆ Performance Curves 性能曲线

DBL2847I-V1 12 V



DBL2847I-V3 24 V

