



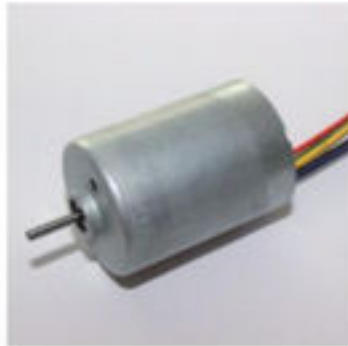
DONGHUI Motor

DBL2838I

OUTPUT: APPROX 1W~15W

INNER ROTOR

WEIGHT : 75g (APPROX)



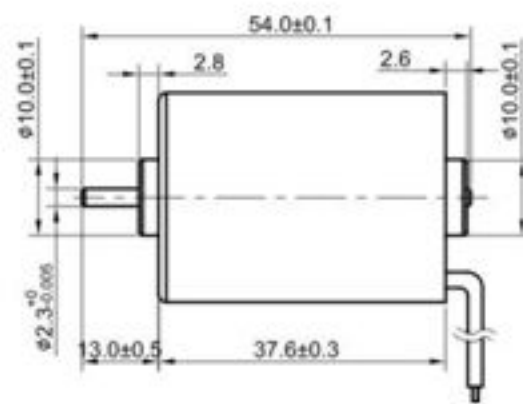
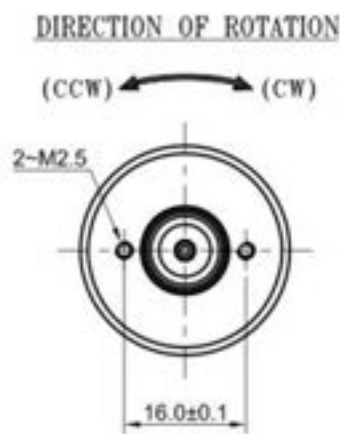
● Typical Application 典型应用

个人护理(Personal Care)
 家用电器(Home Application)
 电动工具(Power Tools)
 商业设备(Business Equipment)
 医疗器械(Medical Apparatus)

● Motor Terminations 电机端口

NO.	PIN ARRANGEMENT
1	VCC
2	FG
3	CW/CCW
4	GND
5	PWM

◆ External Dimensions 外形图



UNIT: MILLIMETERS

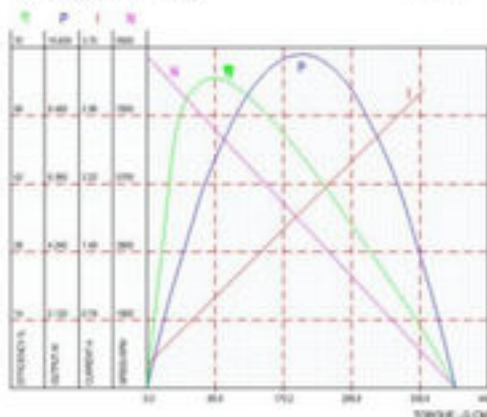


◆ Major Characteristic Parameters 主要特性参数

MODEL	VOLTAGE		NO LOAD		AT MAXIMUM EFFICIENCY				STALL	
	OPERATING RANGE	RATED	SPEED	CURRENT	SPEED	CURRENT	TORQUE	OUTPUT	TORQUE	CURRENT
			r/min	A	r/min	A	g.cm	W	g.cm	A
DBL2838I-V1	6V~12V	7.4 V	5345	0.19	4329	0.798	84.5	3.752	444.7	3.392
DBL2838I-V2	8V~16V	12 V	9220	0.23	7376	0.918	89.5	6.772	447.6	3.689
DBL2838I-V3	8V~26V	24 V	8200	0.08	6806	0.411	87.1	6.082	512.5	2.028

◆ Performance Curves 性能曲线

DBL2838I-V2 12 V



DBL2838I-V3 24 V

