



DONGHUI Motor

DBL27170

OUTPUT: APPROX 5W~35W

OUTER ROTOR

WEIGHT : 50g (APPROX)



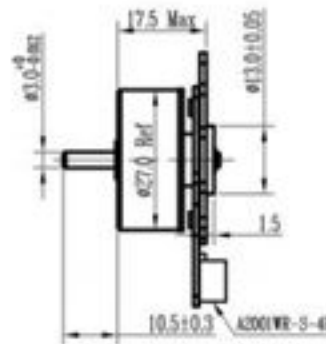
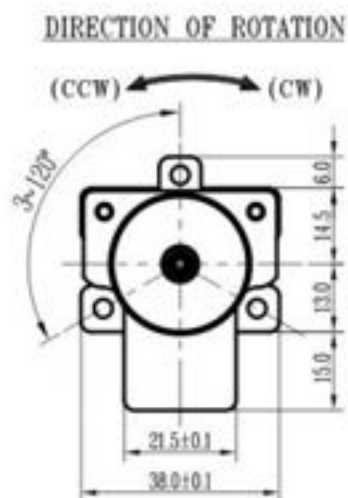
● Typical Application 典型应用

吸尘器 (Vacuum Cleaner)
 家用电器 (Home Application)
 个人护理 (Personal Care)
 商业设备 (Business Equipment)
 医疗器械 (Medical Apparatus)

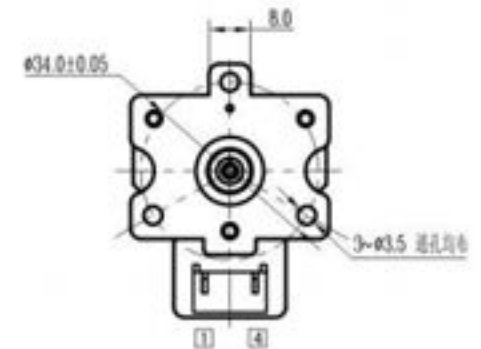
● Motor Terminations 电机端口

| NO. | PIN ARRANGEMENT |
|-----|-----------------|
| 1 | PWM |
| 2 | FG |
| 3 | VCC |
| 4 | GND |

◆ External Dimensions 外形图



UNIT: MILLIMETERS

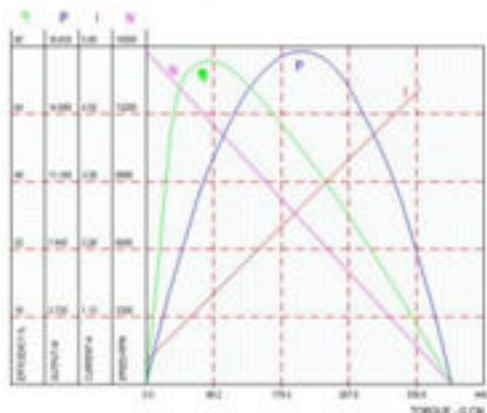


◆ Major Characteristic Parameters 主要特性参数

| MODEL | VOLTAGE | | NO LOAD | | AT MAXIMUM EFFICIENCY | | | | STALL | |
|-------------|-----------------|-------|---------|---------|-----------------------|---------|--------|--------|--------|---------|
| | OPERATING RANGE | RATED | SPEED | CURRENT | SPEED | CURRENT | TORQUE | OUTPUT | TORQUE | CURRENT |
| | | | r/min | A | r/min | A | g.cm | W | g.cm | A |
| DBL27170-V1 | 8V~16V | 12 V | 16249 | 0.31 | 13332 | 1.26 | 84.7 | 11.5 | 445.7 | 5.6 |
| DBL27170-V2 | 8V~26V | 18 V | 17265 | 0.22 | 14330 | 1.13 | 113.8 | 16.7 | 668.5 | 5.6 |
| DBL27170-V3 | 8V~26V | 24 V | 17389 | 0.16 | 14780 | 1.18 | 118.0 | 17.8 | 786.6 | 5.2 |

◆ Performance Curves 性能曲线

DBL27170-V1 12V



DBL27170-V3 24V

