

DRF-300

Precious Metal-brush Motors

Output : Approx 0.3W-0.8W

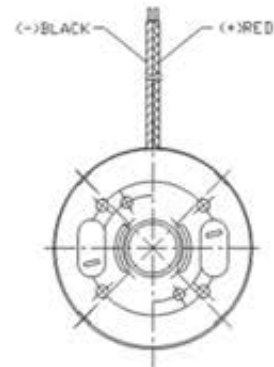
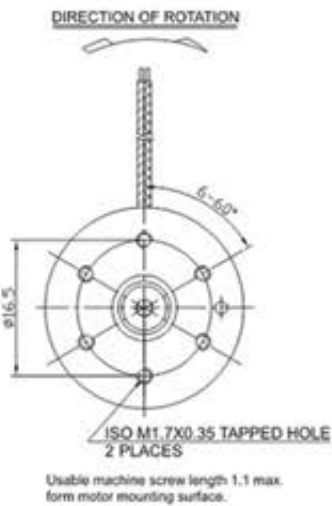
Typical Applications : CD/DVD Player CD/DVD-ROM Drive
Air Freshener/Display



Ø24.4

Specifications

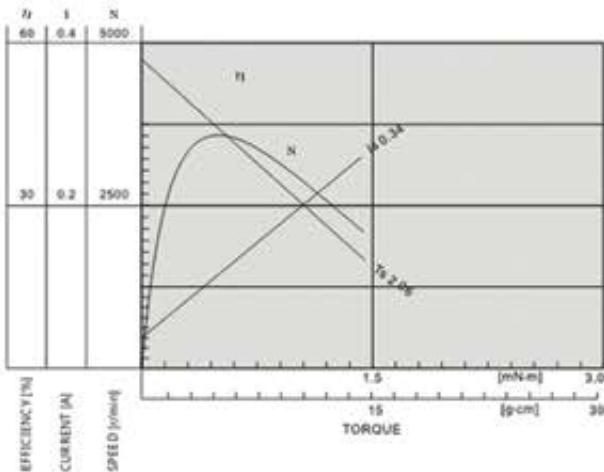
MODEL	VOLTAGE		NO LOAD		AT MAXIMUM EFFICIENCY				STALL		
	OPERATING RANGE	NOMINAL V	SPEED r/min	CURRENT A	SPEED r/min	CURRENT A	TORQUE g.cm / mN.m	OUTPUT W	TORQUE g.cm / mN.m	CURRENT A	
DRF-300CA-11440	6.0V MAX	4.0	4700	0.035	3500	0.120	5.5 / 0.539	0.197	21 / 2.058	0.34	
DRF-300CA-13300	3.0V MAX	2.0	3300	0.025	2700	0.085	3.0 / 0.294	0.083	17 / 1.67	0.35	



WEIGHT: 22g (APPROX)

RF-300CA-11440

4.0V



RF-300CA-13300

2.0V

